

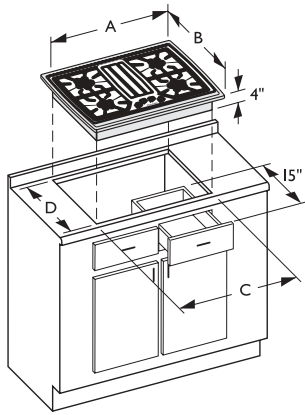
PLANNING GUIDE

gas and electric cooktops

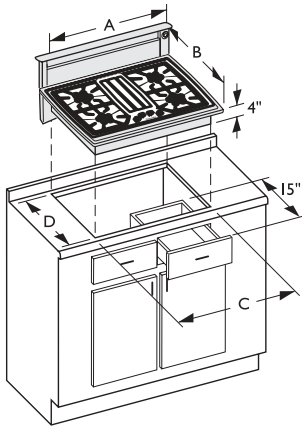
create.

Thermador[®]

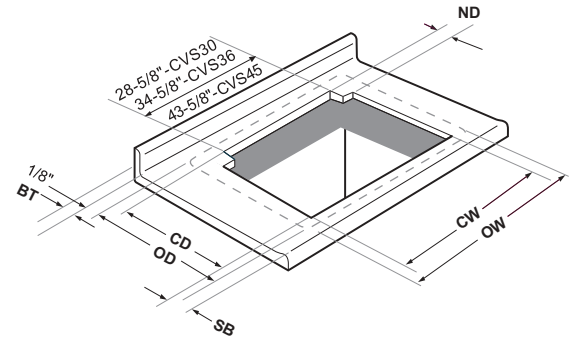
Gas Cooktop Cutout



Gas Cooktop Cutout and Downdraft



Comprehensive Countertop Cutout with Downdraft



Model No.	Overall Dimensions		Cutout Dimensions*		Front		Burner BTU/Hr. Output Rear		Center	
	A	B	C	D	Left	Right	Left	Right	Left	Right
Gas Cooktop Cutouts										
SGSX304Z	31	21 ^{1/2}	28 ^{15/16} -29 ^{3/8}	19 ^{1/8} -19 ^{7/8}	200-8,000	1,650-12,000	300-12,000	950-8,000	N/A	N/A
SGS304Z	31	21 ^{1/2}	28 ^{15/16} -29 ^{3/8}	19 ^{1/8} -19 ^{7/8}	950-8,000	1,650-12,000	1,650-12,000	950-8,000	N/A	N/A
SGSX365Z	37	21 ^{1/2}	34 ^{15/16} -35 ^{3/8}	19 ^{1/8} -19 ^{7/8}	200-8,000	1,650-12,000	300-12,000	950-8,000	2,150-15,000	N/A
SGS365Z	37	21 ^{1/2}	34 ^{15/16} -35 ^{3/8}	19 ^{1/8} -19 ^{7/8}	950-8,000	1,650-12,000	1,650-12,000	950-8,000	2,150-15,000	N/A
SGS36GS	36	21 ^{3/4}	33-35 ^{1/8}	18 ^{5/16} -20 ^{15/16}	210-9,100	1,650-11,000	260-11,000	1,300-9,100	1,400W	Griddle 'N' Grill™
SGSX456Z	46	21 ^{1/2}	43 ^{15/16} -44 ^{1/2}	19 ^{1/8} -19 ^{7/8}	200-8,000	1,650-12,000	300-12,000	950-8,000	2,150-15,000	2,150-15,000
SGS456Z	46	21 ^{1/2}	43 ^{15/16} -44 ^{1/2}	19 ^{1/8} -19 ^{7/8}	950-8,000	1,650-12,000	1,650-12,000	950-8,000	2,150-15,000	2,150-15,000

Model No.	CW Cutout Width	CD Cutout Depth	OW Overall Width	OD Overall Depth	SB Minimum Set Back	BT Maximum Back Splash	ND Notch Depth
Comprehensive Countertop Cutout with Downdraft							
SGS304Z, SGSX304Z	28 ^{15/16}	22 ^{1/8}	31	23 ^{5/8}	1 ^{1/2}	1 ^{1/4}	3
SGS365Z, SGSX365Z	34 ^{15/16}	22 ^{1/8}	37	23 ^{5/8}	1 ^{1/2}	1 ^{1/4}	3
SGS36GS	34 ^{1/2}	21 ^{3/4}	36	23 ^{3/4}	2 ^{3/4}	1 ^{1/8}	0
SGS456Z, SGSX456Z	43 ^{15/16}	22 ^{1/8}	46	23 ^{5/8}	1 ^{1/2}	1 ^{1/4}	3

General Information

MODEL NUMBER	SGSX304Z	SGS304Z	SGSX365Z	SGS365Z	SGS36GS	SGSX456Z	SGS456Z
60 Hz, Single Phase A.C.:	■	■	■	■	■	■	■
120V, 3 Wire, 20 Amps	■	■	■	■	■	■	■
Approx. Shipping Weight (lbs)	45	45	49	49	59	58	58

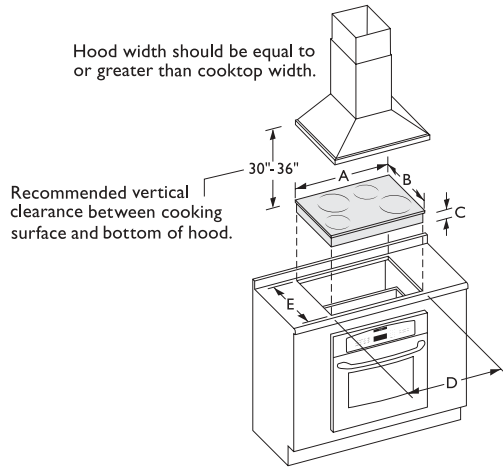
Notes: 1) All height, width and depth dimensions are shown in inches. 2) Solid surface countertops require special cutout size.
 *Please refer to installation instructions prior to making cutout. Installation instructions are available on www.thermador.com.



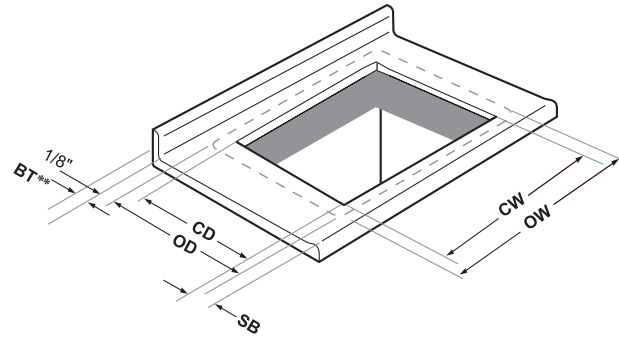
Cooktops are CGA and AGA approved.

For immediate critical installation dimensions by fax, use your fax handset and call (775) 833-3600. Use code #8030 for a directory of Thermador® products.

**Electric Ceramic Updraft Cooktop Cutout
Shown with C301 Single Oven and HDW Chimney Hood**



**Comprehensive Countertop Cutout
with Downdraft**



Model No.	Overall Dimensions			Cutout Dimensions*		Element Wattage		Rear		
	A	B	C	D	E	Front Left	Front Right	Left	Middle	Right
Electric Ceramic Updraft Cooktops										
CEP304	31	21 ⁵ / ₈	3 ⁵ / ₈	28 ³ / ₄ - 28 ⁷ / ₈	19 ⁷ / ₈ - 20	1,200	1,200	750/2,200	N/A	800/1,600/2,300
CET304	31	21 ⁵ / ₈	3 ⁵ / ₈	28 ³ / ₄ - 28 ⁷ / ₈	19 ⁷ / ₈ - 20	1,200	1,200	750/2,200	N/A	800/1,600/2,300
CEM304	31	21 ⁵ / ₈	3 ⁵ / ₈	28 ³ / ₄ - 28 ⁷ / ₈	19 ⁷ / ₈ - 20	1,200	1,200	750/2,200	N/A	750/2,200
CEP365	37	21 ⁵ / ₈	3 ⁵ / ₈	34 ³ / ₄ - 34 ⁷ / ₈	19 ⁷ / ₈ - 20	1,200	1,800/Bridge	750/2,200	800/1,600/2,500	1,800/Bridge
CET365	37	21 ⁵ / ₈	3 ⁵ / ₈	34 ³ / ₄ - 34 ⁷ / ₈	19 ⁷ / ₈ - 20	1,200	1,800/Bridge	750/2,200	800/1,600/2,500	1,800/Bridge
CEM365	37	21 ⁵ / ₈	3 ⁵ / ₈	34 ³ / ₄ - 34 ⁷ / ₈	19 ⁷ / ₈ - 20	1,200	1,800/Bridge	750/2,200	1,100/2,500	1,800/Bridge
CEP456	46	21 ⁵ / ₈	3 ⁵ / ₈	43 ³ / ₄ - 43 ⁷ / ₈	19 ⁷ / ₈ - 20	800/1,900	1,800/Bridge	1,200	800/1,600/2,500 1,100/2,500	1,800/Bridge
CEM456	46	21 ⁵ / ₈	3 ⁵ / ₈	43 ³ / ₄ - 43 ⁷ / ₈	19 ⁷ / ₈ - 20	800/1,900	1,800/Bridge	1,200	1,100/2,500 1,100/2,500	1,800/Bridge

Model No.	CW Cutout Width	CD Cutout Depth	OW Overall Width	OD Overall Depth	SB Min. Set Back
Electric Ceramic Cooktop Comprehensive Countertop Cutout with Downdraft					
CEP304	28 ³ / ₄	22 ⁷ / ₁₆	31	23 ³ / ₄	2 ¹ / ₂
CET304	28 ³ / ₄	22 ⁷ / ₁₆	31	23 ³ / ₄	2 ¹ / ₂
CEM304	28 ³ / ₄	22 ⁷ / ₁₆	31	23 ³ / ₄	2 ¹ / ₂
CEP365	34 ³ / ₄	22 ⁷ / ₁₆	37	23 ³ / ₄	2 ¹ / ₂
CET365	34 ³ / ₄	22 ⁷ / ₁₆	37	23 ³ / ₄	2 ¹ / ₂
CEM365	34 ³ / ₄	22 ⁷ / ₁₆	37	23 ³ / ₄	2 ¹ / ₂
CEP456	43 ³ / ₄	22 ⁷ / ₁₆	46	23 ³ / ₄	2 ¹ / ₂
CEM456	43 ³ / ₄	22 ⁷ / ₁₆	46	23 ³ / ₄	2 ¹ / ₂

Note: Countertop must be 26" wide overall for best fit. When the under cabinet measures 24" front to back (outside dimensions) it must be positioned so the counter top has a 1" overhang. **BT" (Backsplash Thickness) = 0

Special Notes:

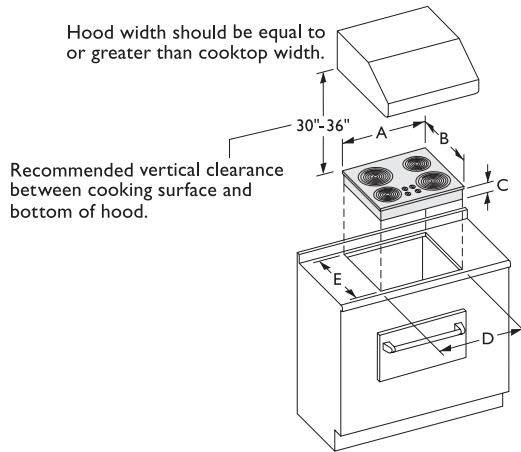
The countertop must have a 25" flat area so no problems can occur with a backsplash. Important to measure it from the front edge of the countertop. All cutouts start at 2¹/₂" from the front edge of the countertop. All cutouts have a 22⁷/₁₆" depth. Only the lengths change with the different size cooktops.

General Information

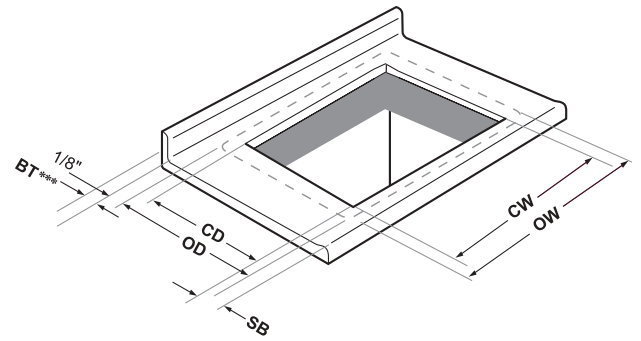
MODEL NUMBER	CEP30	CET30	CEM30	CEP36	CET36	CEM36	CEP45	CEM45
208-240 Volts, 2 Wire, 60 Hz			■					
208-240 Volts, 3 Wire, 60 Hz	■	■		■	■	■	■	■
120 Volts, 2 Wire, 60 Hz								
Amps	30	30	30	40	40	40	50	50
Approx. Shipping Weight (lbs)	35	35	35	45	45	45	55	55

Notes: All height, width and depth dimensions are shown in inches. *Please refer to installation instructions prior to making cutout. Installation instructions are available on www.thermador.com.

**Electric Coil Updraft Cooktop Cutout
Shown with Warming Drawer and Updraft Hood**



**Comprehensive Countertop Cutout
with Downdraft**



Model No.	Overall Dimensions			Cutout Dimensions*		Element Wattage				
	A	B	C	D	E	Front		Rear		
						Left	Right	Left	Middle	Right
Electric Coil Updraft Cooktops										
TMH30	30	21 ³ / ₄	3	26 ¹ / ₂ - 29 ⁷ / ₈	18 ⁵ / ₁₆ - 20 ⁵ / ₁₆	1,500	2,100	2,100		1,500
TMH36	36	21 ³ / ₄	3	33 - 35 ¹ / ₈	18 ⁵ / ₁₆ - 20 ⁵ / ₁₆	1,500	2,100	2,100	1,400	1,500 Griddle'N Grill™
TMH45	45	21 ³ / ₄	2 ³ / ₄	42	20	1,500	2,100	2,100	1,750	1,500 Griddle'N Grill
ST2	14 ³ / ₄	22	2 ³ / ₄	13 ³ / ₈	18 ⁵ / ₈	1,250	2,100	N/A	N/A	N/A
ST12	14 ³ / ₄	22	2 ³ / ₄	13 ³ / ₈	18 ⁵ / ₈	1,100	1,100	N/A	N/A	N/A

Model No.	CW Cutout Width	CD Cutout Depth	OW Overall Width	OD Overall Depth	SB Min. Set Back
Electric Coil Comprehensive Countertop Cutout with Downdraft					
TMH30	28 ¹ / ₂	21 ¹³ / ₁₆	30	23 ⁷ / ₈	2 ³ / ₄
TMH36	34 ¹ / ₂	21 ³ / ₄	36	23 ⁷ / ₈	2 ⁷ / ₈
TMH45	43 ¹ / ₂	22 ⁵ / ₈	45	24	2 ¹ / ₈

Note: Countertop must be 26" wide overall for best fit. When the under cabinet measures 24" front to back (outside dimensions) it must be positioned so the countertop has a 1" overhang. *** "BT" (Backsplash Thickness) = 0

Special Notes:

The countertop must have a 25" flat area so no problems can occur with a backsplash. Important to measure it from the front edge of the countertop. All cutouts start at 2¹/₂" from the front edge of the countertop. All cutouts have a 22⁷/₁₆" depth. Only the lengths change with the different size cooktops.

General Information

MODEL NUMBER	TMH30	TMH36	TMH45	ST2	ST12
208-240 Volts, 2 Wire, 60 Hz	■	■	■	■	
Amps	40	40	50/40**	20	20
Approx Shipping Weight (lbs)	46	46	65	15	15

Notes: All height, width and depth dimensions are shown in inches.

*Please refer to installation instructions prior to making cutout. Installation instructions are available on www.thermador.com.

**50A @ 208VAC, 40A @ 240VAC



Cooktops are UL and CUL approved with the exception of CEM365, CEM456 and CEP456 which are UL approved only.

For immediate critical installation dimensions by fax, use your fax handset and call (775) 833-3600. Use code #8030 for a directory of Thermador® products.