

700 SERIES

PRE-INSTALLATION SPECIFICATIONS / ILLUSTRATIONS

PLANNING INFORMATION

Before moving the units into place, be sure the finished dimensions, electrical and plumbing locations and minimum drawer and door clearances are accurate. See illustration 1 on page 3 of this section. Be sure your installer has this information before finishing work is completed.

IMPORTANT NOTE: The front of the Sub-Zero 700 Series unit is 24 inches from the back wall. Your design may necessitate moving the unit back, or cabinets forward to achieve a flush fit.

OVERALL SIZE SPECIFICATIONS

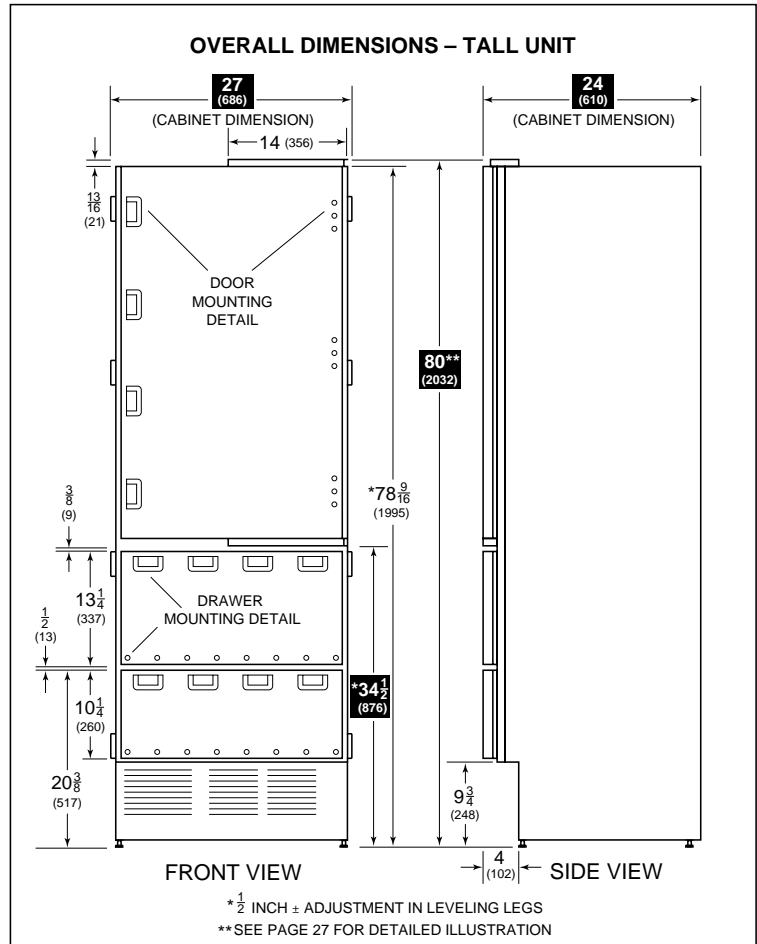
In trying to understand the different units available for your use, keep in mind you have two size configurations:

Tall Unit – 80" h x 27" w x 24" d

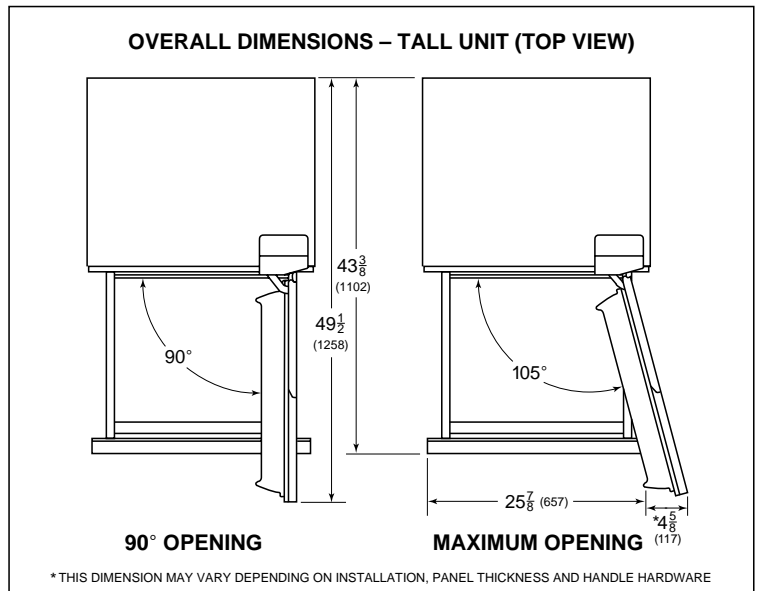
Base Unit – 34½" h x 27" w x 24" d

The height of the tall unit is set at 80 inches. You can allow the top of the door panel to exceed this dimension with caution. If you are working with 84-inch or even 96-inch neighboring panels, you can order door panels to match this height. Refer to the illustrations on the following pages.

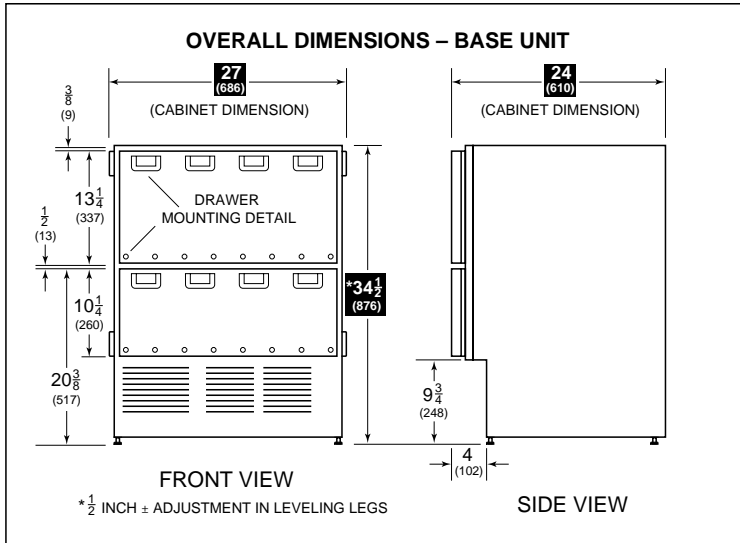
Other critical dimensions regarding the door swing, drawer openings and toe plate are also noted in the Overall Dimensions illustrations.



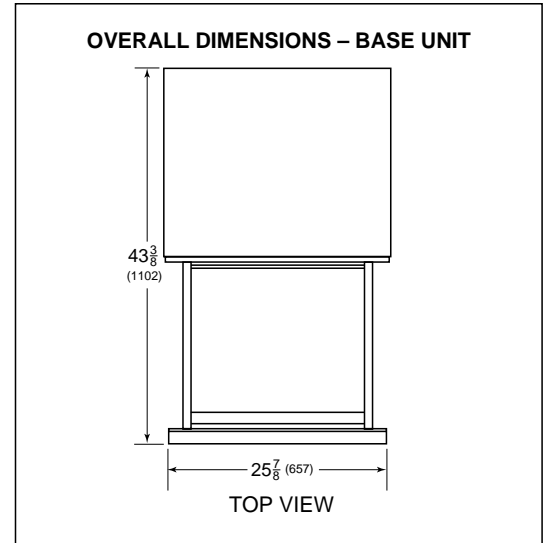
Illus. 2



Illus. 3



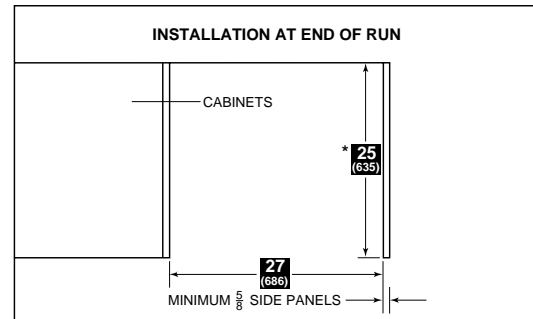
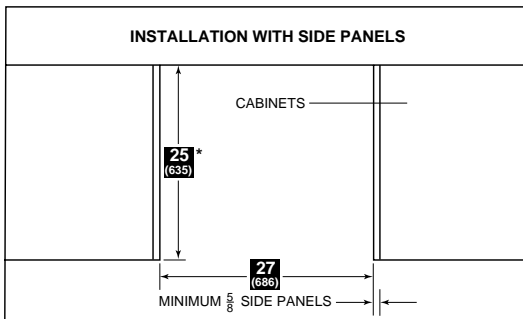
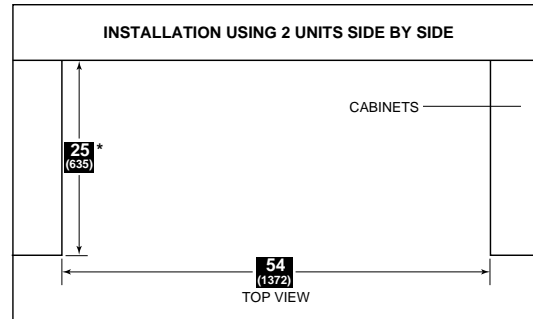
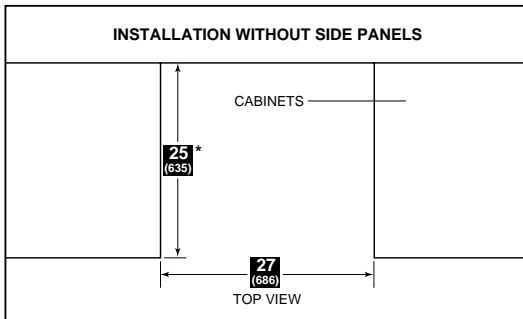
Illus. 4



Illus. 5

INSTALLATION OPTIONS

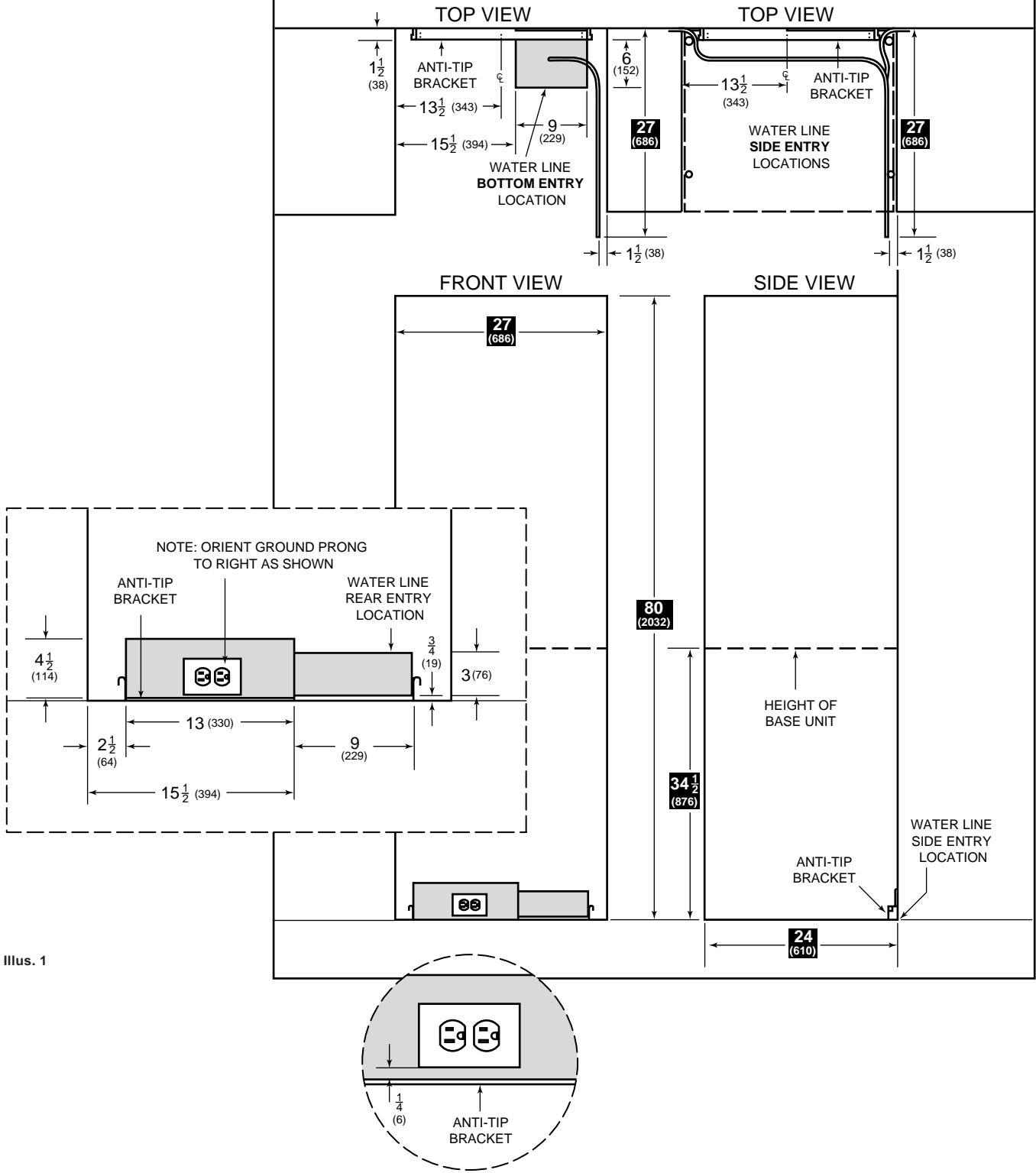
IMPORTANT NOTE: The front of the Sub-Zero 700 Series unit is 24 inches from the back wall. Your design may necessitate moving the unit back, or cabinets forward to achieve a flush fit. Refer to illustrations 6 and 7 in the Framed Cabinetry Application Section for more detail.



Illus. 9

* THESE DIMENSIONS MAY VARY DEPENDING ON CABINET STYLES, TREATMENT OF COUNTERTOPS OR OTHER DESIGN OPTIONS.

PRE-INSTALLATION SPECIFICATIONS



Illus. 1

DOOR PANEL HEIGHT

Door panels can grow beyond the 80-inch height to accommodate any size of door as long as you stay below the recommended door panel weight limit of 40 pounds.

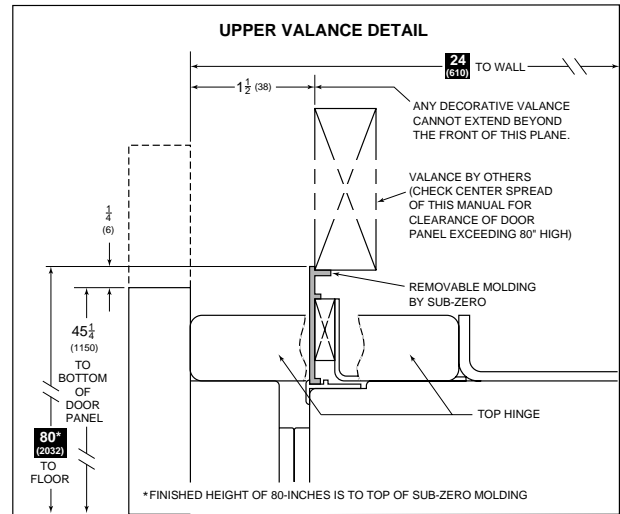
Illustration 10 shows how the panel may grow and what you need to consider doing to finish the area in back of the door panel.

IMPORTANT NOTE: The valance you use to finish the area behind the door panel must stay behind the front plane of the finished molding as noted in illustration 10.

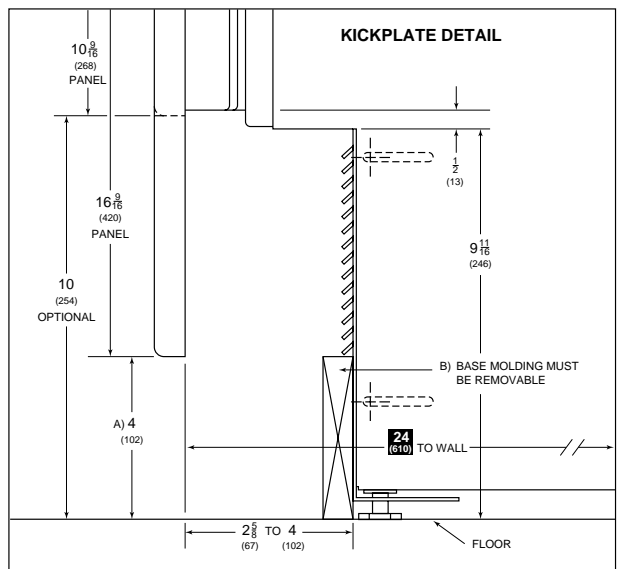
KICKPLATE CLEARANCE

Illustration 11 details the area below the lower drawer area where the operating mechanical equipment of the Sub-Zero 700 Series unit is housed.

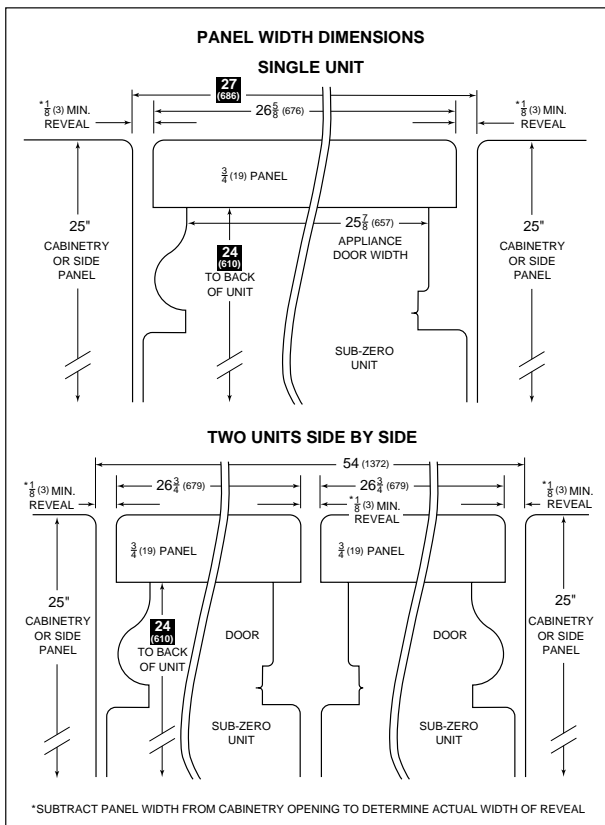
IMPORTANT NOTE: You must keep a minimum space of four inches clear below the bottom edge of the lower drawer panel, so the unit can be properly vented. In addition, any decorative base molding must be removable for possible servicing and cleaning of the condenser.



Illus. 10



Illus. 11



Illus. 8

DUAL INSTALLATIONS

Optional components are necessary for the installation of two or more 700 Series units, where there is two inches or less of space between the units. Contact your Sub-Zero distributor for the proper components and instructions. Note that panel sizes will change, refer to illustration below.