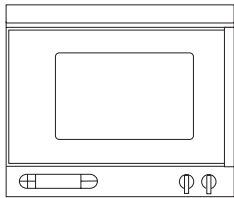


# COMBINATION STEAM AND CONVECTION OVEN



## Built-in combination Steam and Convection Oven

**Gaggenau 200 Series**  
Width 24" (60 cm)

**Right-hinged**  
ED 220-600  
anthracite

ED 220-630  
aluminum

**Left-hinged**  
ED 221-600  
anthracite

ED 221-630  
aluminum

220 – 240 V / 60 Hz

### Included accessories:

### Installation accessories:

### Optional accessories:

**ED 220/221-600/630**  
Fresh steam system with water supply and drainage.  
Pressureless steaming.  
Oven interior volume: 1.48 cb. ft.  
Interior dimensions up to hot air/convection baffle:  
W 14" x H 9 1/4" x D 13 7/8"

Convection only and Convection with four humidity settings 100%, 80%, 60%, and 30%.  
Condensation.  
Misting.  
60 W halogen lighting.  
Electronic precision temperature control from 85° F – 450° F.

Large function display.  
Automatic cooking time.  
Actual temperature display:  
"Thermo Test"  
Integrated meat probe with digital read out. Programmable from 85° F to 210° F and automatic shut-off.

Heat-insulated door with two-fold glazing.  
Hygienic stainless steel interior with cleaning aid.  
Steam suppression/steam removal.  
Automatic drying of oven interior.  
Quiet cooled housing.  
Grease filter protecting the convection fan.  
Glass door opening through 180°.  
Child and vacation lock.  
Automatic boiling point adjustment.

One oven tray, one perforated pan, one rack, inlet hose, drain hose.  
  
Pressure regulator, shipped with connection sets, which accommodates water pressure from 29 psi to 87 psi. If incoming water pressure exceeds 87 psi, you must order DR 220-010 (see below) to reduce water pressure.

**DR 220-010** Pressure regulator 3/4" connection for water pressure from 87 psi to 145 psi.  
**GZ 010-011** Extension for water inlet and outlet.

**KB 220-000** Stainless steel oven tray, 1 1/2" deep.  
**KB 220-324** Stainless steel perforated pan.  
**GR 220-046** Additional wire rack.  
**BK 200-002** Special shorter control knobs (2).  
**KB 220-114** Stainless steel unperforated cooking insert, 1 1/2" deep, 1/2" tray size.  
**KB 220-124** Stainless steel perforated cooking insert, 1 1/2" deep, 1/2" pan size.

**WF 040-020** Brita descaling system (water softener/filter), 3/4" filter inlet, 3/8" filter outlet, wall mount, 4 11/16" flexible inlet hose  $\phi$  3/16", filter cartridge.  
**WF 040-021** Water softener/filter replacement kit (3 filter cartridges).

### Planning notes:

4' Power cable (hardwire required).  
Hinging must be specified when ordering as the door is not interchangeable.

Plan minimum distance of 2" between two ovens installed side by side when handles in the middle—or 3/4" when centered around hinged sides.

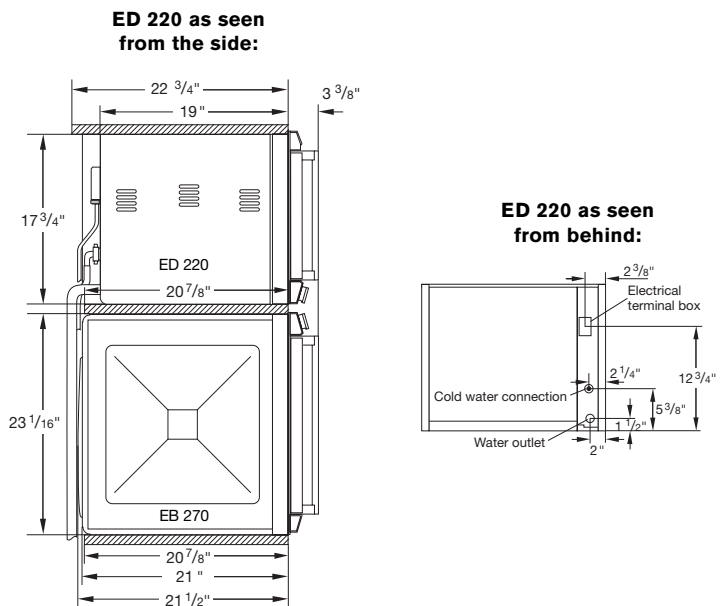
Cold water inlet 3/4".  
Supplied drain hose  $\phi$  = 1".  
Connect supplied drain hose to a 2"  $\phi$  drain.  
The water connection must lay at least 4 inches below the appliance. If the hardness of the water exceeds 7° dH, a water softening system must be installed when connecting the appliance (ion exchanger or water filter). Please contact your plumber for details.

Total rating: 2.9 kW  
Total Amps: 15

### Helpful hints to connect:

To connect supplied European water hose to an American plumbing, we recommend a 3/4" connection. Other diameters will require transitions using the following hardware:

- 3/8" forged nut
- Flare adapter MPT 3/8" - 3/4"
- Compression angle shut-off valve  
FLARE:  
Inlet: 3/8" OD compression  
Outlet: 3/8" OD



Planned availability 9/2003