

THE MORSØ DV200

The Morsø Direct Vent 200 gas stove offers the consumer a distinctive alternative to other brands. A cast iron seven-flame burner, deep firebox, realistic ceramic logs, lively flames, and large "Cleanview" glass gives you unparalleled fireviewing and a very realistic woodstove-like fire. The classic lines of Morsø DV200 is equally at home in traditional or modern settings.

The DV200's is perfect for North American homes with its 33,000 Btu rating, high efficiency, and remote control capability. We're sure you'll agree that a long-lasting cast iron gas stove from the experts of Morsø makes sense for you.

Why cast iron? The appeal of cast iron lies not only in its ability to absorb heat from the fire and releasing it slowly into your home long after the fire is out, but also in the aesthetically pleasing forms with which it can be shaped. Morsø craftsmen produce the finest cast iron wood, gas, and coal stoves in the world.

The name Morsø has been synonymous with quality since April 1853. In 1915 Morsø received the honor of being appointed to the Royal Danish Court. This prestigious appointment means that the products produced are held to the highest standards of quality and that the companies themselves have demonstrated exceptional business practices and ethics.



morsø[®]

integrated design since 1853



DV-200 CLEARANCES

Unprotected Surfaces:	Rear	Side	Corner
Stove w/Co-Axial Connector:	3"	6"	3"

Fireplace Installation*:

Top Plate to Mantel (10" mantel depth):	12"
Top Plate to Top Trim (1.5" trim depth):	3"
Top Plate to Side Trim:	3"
Top Plate to Adjacent Side Wall:	6"

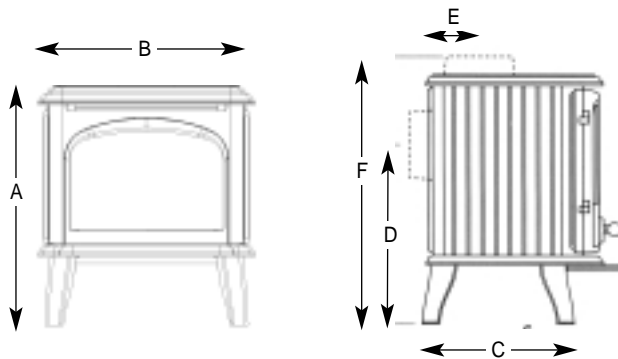
Venting Parameters:

Vertical Termination:	Up to 36'
Horizontal Termination:	Minimum of 2' vertical needed before terminating

*Proper shielding can reduce these clearance up to 50% as per NFPA 211

DV200 GAS SPECIFICATIONS

Height	29" (A)
Width	25.8" (B)
Depth (leg to leg)	16.25" (C)
Flue Collar Height (Rear exit centerline)	23.25" (D)
Flue Collar Height (Top exit)	30.9" (F)
Measurement from the rear of the stove to the centerline of the top flue collar	4.3" (E)
Reversible Flue Collar Size	6.58" outer / 4" inner
Btu Rating	33,000 down to 23,000 NG and LP
Avg. Area Heated	up to 1400 sq. ft.
AFUE Efficiency	67% LP / 68% NG
Steady State Efficiency	74% LP / 75% NG (w/fan)
Burner Material	Cast Iron
Logs Material	Vacuum Formed Ceramic Fiber
Ignition System	Electricity-free Standing Pilot
Est. Shipping Weight	275 lbs.



Please consult your local dealer for Morsø products and accessories:

MORSØ DV200 GAS STOVE - FEATURES AND BENEFITS

- High efficiency ratings for lower fuel bills
 - Electricity-free ignition system provides heat when the power goes out
 - Cast iron burner for durability and a seven-flame design provides more visual flame throughout the entire firebox
 - Ceramic logs with the "depleted log" design for a very realistic appearance
 - Deep firebox "filled with flame" for wood stove-like fire aesthetics
 - Reversible flue collar (top or rear venting) for maximum installation flexibility
 - Large uncluttered "Cleanview" glass panel for unparalleled fireviewing
 - Honeywell #8420 Valve for remote control capability and easy fuel conversion
 - LP fuel conversion kit is standard saving both time and money
 - Conveniently located on-off switch for easy operation
 - Lattice design top plate casting can be used to keep food warm
 - 10-year limited warranty
 - 148 years of cast iron experience
- Options:
- EBM super quiet 110-cfm blower with a variable speed control and thermostatically controlled on/off operation for ultimate consumer comfort
 - Remote control capability

