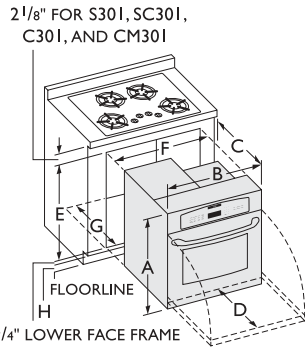
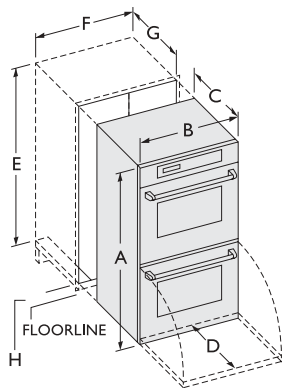


PLANNING GUIDE
built-in ovens

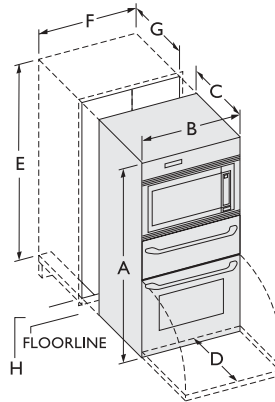
**Single Oven
Under-the-Counter Cutout**



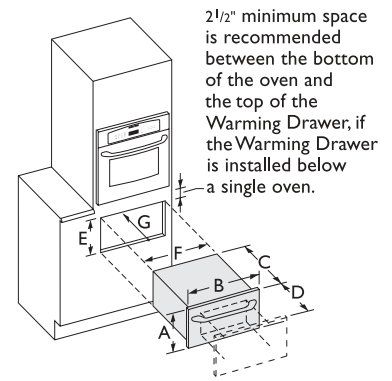
Double and Single Oven Cutout



SMW Oven Cutout



Warming Drawer Cutout



Model No.	Overall Dimensions				Cutout Dimensions*				Upper/Single Oven Interior Dimensions			Lower Oven Interior Dimensions			Door Handle Projection
	A†	B†	C	D**	E	F	G	H	H x	W x	D	H x	W x	D	****

27" Built-In Electric Wall Ovens

SC272	51 1/2	26 3/4	23 7/8	22	51 1/8	25 1/2	24	9 3/4	16 1/4	22	17 1/2	16 1/4	22	19	27/8
SCD272	51 1/2	26 3/4	23 7/8	22	51 1/8	25 1/2	24	9 3/4	16 1/4	22	17 1/2	16 1/4	22	17 1/2	27/8
C271	28 5/8	26 3/4	23 7/8	22	28 1/4	25 1/2	24	4 3/4 to 3 13/8	16 1/4	22	17 1/2		N/A		3 3/4
C272	51 1/2	26 3/4	23 7/8	22	51 1/8	25 1/2	24	9 3/4	16 1/4	22	17 1/2	16 1/4	22	17 1/2	3 3/4
SMW272	55 3/4	26 3/4	23 7/8	22	55 3/8	25 1/2	24	9 3/4				16 1/4	22	17 1/2	27/8
SM272	46 1/8	26 3/4	23 7/8	22	45 3/4	25 1/2	24	9 3/4	10 11/16	18 7/16	18 1/4	16 1/4	22	17 1/2	27/8
MBY***	17 1/8	26 3/4	21	19 1/4	17	25 1/2	24		10 11/16	18 7/16	18 1/4		N/A		
MT27	17 1/8	26 3/4	21	19 1/4	17	25 1/2	24		10 11/16	18 7/16	18 1/4		N/A		

30" Built-In Electric Wall Ovens

SC301	28 5/8	29 3/4	23 7/8	22	28 1/4	28 1/2	24	4 3/4 to 3 13/8	16 1/4	25	17 1/2		N/A		27/8
SC302	51 1/2	29 3/4	23 7/8	22	51 1/8	28 1/2	24	9 3/4	16 1/4	25	17 1/2	16 1/4	25	19	27/8
SCD302	51 1/2	29 3/4	23 7/8	22	51 1/8	28 1/2	24	9 3/4	16 1/4	25	17 1/2	16 1/4	25	17 1/2	27/8
C301	28 5/8	29 3/4	23 7/8	22	28 1/4	28 1/2	24	4 3/4 to 3 13/8	16 1/4	25	17 1/2		N/A		3 3/4
C302	51 1/2	29 3/4	23 7/8	22	51 1/8	28 1/2	24	9 3/4	16 1/4	25	17 1/2	16 1/4	25	17 1/2	3 3/4
CM301	28 5/8	29 3/4	23 7/8	22	28 1/4	28 1/2	24	4 3/4 to 3 13/8	16 1/4	25	17 1/2		N/A		3 3/4
CM302	51 1/2	29 3/4	23 7/8	22	51 1/8	28 1/2	24	9 3/4	16 1/4	25	17 1/2	16 1/4	25	17 1/2	3 3/4
CJ302	46	29 3/4	23 7/8	22	45 5/8	28 1/2	24	15 1/4	9	24	14 3/4	16 1/4	25	17 1/2	3 3/4
MBY***	17 1/8	29 3/4	21	19 1/4	17	28 1/2	24		10 11/16	18 7/16	18 1/4		N/A		
MT30	17 1/8	29 3/4	21	19 1/4	17	28 1/2	24		10 11/16	18 7/16	18 1/4		N/A		

Model No.	Overall Dimensions				Cutout Dimensions*			Interior Drawer Usable Space				Custom Panel Dimensions†††	
	A	B	C††	D	E	F	G	H x	W x	D	Cubic Feet	H x	W

Warming Drawers

WD24	10 1/4	23 1/2	20 1/4	18 1/2	9	22 1/2	20 1/4	6	19 1/2	18 1/2	1.2	10 1/4	23 1/2
WD27	11 1/4	26 7/8	22 1/4	20 1/2	10	25 1/2	22 1/4	7	22	21	1.9	11 1/4	26 7/8
WD30	11 1/4	29 7/8	22 1/4	20 1/2	10	25 1/2	22 1/4	7	22	21	1.9	11 1/4	29 7/8

Notes: 1) All height, width and depth dimensions are shown in inches. For a detailed listing of approved cooktop models for this installation please refer to oven installation instructions. 2) A 48" flexible metallic conduit is supplied with each oven. 3) The SC301, C301 and CM301 ovens have been UL tested for installation with most Thermador cooktops. 4) Overhead ventilation is recommended for the cooktops as the Cook 'N' Vent® Hoodless Downdraft System cannot be installed with the under counter ovens due to cabinet space limitations. 5) When installing any TMH series electric coil cooktop above the SC301, C301 or CM301 ovens, the accessory tape kit, KIT130TMH, may be required (sold separately). 6) Some TMH cooktops require additional clearances to combustible walls. Cooktop models that cannot be used in the installation include, but are not restricted to, all PCS professional-style gas cooktops. 7) For a detailed listing of approved cooktop models for this installation please refer to oven installation instructions. *Please refer to installation instructions prior to making cutout. Installation instructions are available on www.thermador.com **Largest door. ***Must be used in conjunction with MT27 or MT30 microwave trim kit. ****Add 3/8" for Professional handle where available. †Add 1/16" height and 1/8" width for stainless steel models (S-Series only). ††Measured from cabinet face. Add 3/4" for distance from drawer handle to cabinet face. †††Minimum 1/8" depth panel when using handle, minimum 3/8" depth when using cabinet hardware.

Built-In Oven General Information

	27" Built-In Ovens						
	S-Series		C-Series		Combination Ovens		Microwave Ovens
MODEL NUMBER	SC 272	SCD 272	C 271	C 272	SMW 272	SM 272Y	MBY
Configuration	Double	Double	Single	Double	Triple	Double	Single
Microwave Wattage	N/A	N/A	N/A	N/A	1,100	1,100	1,100
Broil/Bake Wattage	3,600/2,600	3,600/2,600	3,600/2,200	3,600/2,200	3,600/2,600	3,600/2,300	N/A
Warming Drawer Wattage	N/A	N/A	N/A	N/A	450	N/A	N/A
Third Element Wattage	2,750	2,750	2,750	2,750	2,750	2,750	N/A
Dual-Rated 120/208-240 Volts, 4 Wire, 60 Hz	■	■	■	■	■	■	N/A
Amps	40	40	30	40	30	30	20
Approx. Shipping Weight (lbs)	280	285	180	310	250	270	44

	30" Built-In Ovens								
	S-Series			C-Series		Combination Ovens			Microwave Ovens
MODEL NUMBER	SC 301	SC 302	SCD 302	C 301	C 302	CM 301	CM 302	CJ 302	MBY
Configuration		Double	Double	Single	Double	Single	Double	Double	Single
Microwave Wattage	N/A	N/A	N/A	N/A	N/A	650	650	750	1,100
Broil/Bake Wattage	3,600 2,800	3,600 2,800	3,600 2,800	3,600 2,800	3,600 2,300	3,600 2,300	3,600 2,300	3,600 2,300	2,300
JetDirect™ Wattage	N/A	N/A	N/A	N/A	N/A	N/A	N/A	2,500	N/A
Warming Drawer Wattage	N/A	N/A	N/A	N/A	N/A	N/A	N/A	N/A	N/A
Third Element Wattage	2,750	2,750	2,750	2,750	2,750	2,750	2,750	2,750	2,750
Dual-Rated 120/208-240 Volts, 3 Wire, 60 Hz	■	■	■	■	■	■	■	■	
Amps	20	40	40	30	40	40	50	50	20
Approx. Shipping Weight (lbs)	165	325	330	210	355	240	370	360	44

Warming Drawer General Information

MODEL NUMBER	WD24U	WD24Z	WD27U	WD27Z	WD30X	WD30Z
Cabinet Size	24"	24"	27"	27"	30"	30"
Warming Drawer Wattage 120 Volts, 2 Wire, 60 Hz, w/gnd.	450	450	450	450	450	450
Single Phase A.C., 20 Amps	■	■	■	■	■	■
Approx. Shipping Weight (lbs)	54	54	70	70	72	72



All models are UL approved. All models except SM, SMW and MBY are CUL approved.

For immediate critical installation dimensions by fax, use your fax handset and call (775) 833-3600. Use code #8030 for a directory of Thermador® products.