

## Flap Stay "FLAP-EX"

This hinge is particularly suitable for installing in bathroom and laboratory cabinets with front flaps.

The door is opened under spring tension by **approximately 27°** by simply applying pressure directly to the door. When the door is closed, the flap is pushed back into the cabinet where it is secured by means of the **Mini Latch catch**.

This flap hinge is designed for installation in cabinet sizes from 820 mm high, 400 mm wide and an inside cabinet depth of at least 270 mm.

### Important:

the hinge with the coil springs is designed to support a **particle board front** with the maximum dimensions 590 mm high, 400 mm wide and 19 mm thick and a maximum **weight when full of 5 kg (11lbs)**.



**HÄFELE**



For installation of the front flap, the following are required in addition: **2 cup hinges** as well as **Mini Latch catch**, see below.

## Hinges, Stays and Aluminum Framed Doors

### Mounting instructions:

screw angle bracket to front panel and screw-mount bearing to cabinet side panel; see mounting drawing on the right. Push round rod into the screw-on bearing between the two coil springs.

The door is **opened** by pushing against the door panel. The pressure triggers the release spring in the fitting. The door opens auto-matically. To **close** the door, slightly press against the door panel.

### Flap hinge "FLAP-EX"

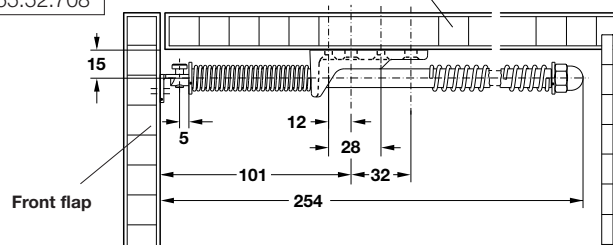
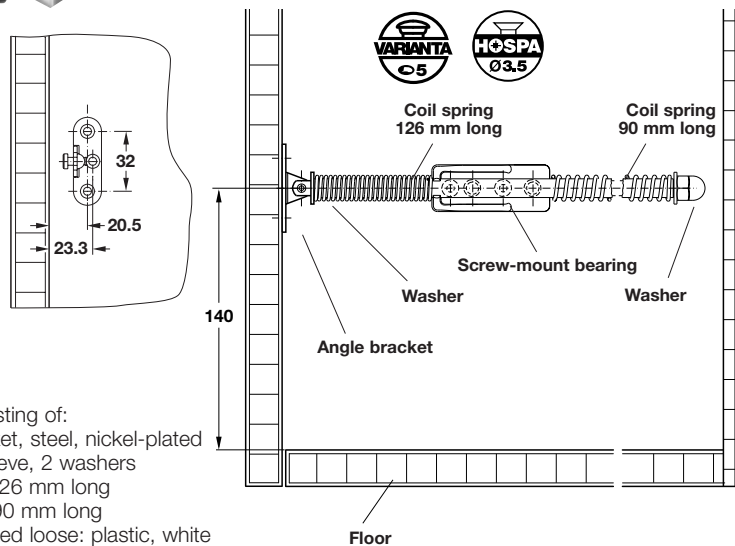
completely assembled, consisting of:

- 1 screw-mount angle bracket, steel, nickel-plated
- 1 round rod with plastic sleeve, 2 washers
- 2 coil springs: front = 126 mm long  
rear = 90 mm long

1 screw-mount bearing, packed loose: plastic, white

Cat. No. 365.52.708

Packing: 10 pcs.



### Automatic spring catch Mini Latch, screw-mount, with strike

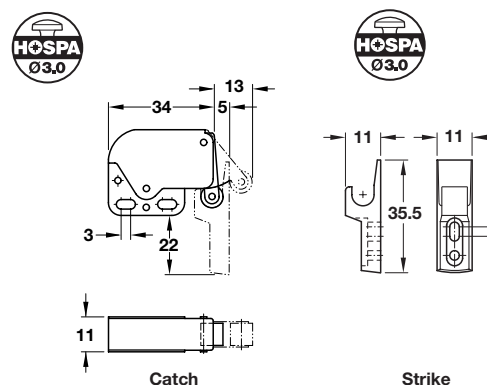
Finish:

Catch: steel, nickel-plated  
Strike: plastic, white

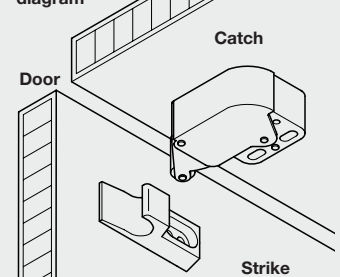


Cat. No. 245.54.701

Packing: 50 pcs.



### Mounting diagram



Dimensional data not binding. We reserve the right to alter specifications without notice.