

ELECTRICAL

A 115 volt, 60 Hz, 15 amp fused electrical supply is required. It is recommended that a separate circuit, serving only this appliance, be provided.

All Sub-Zero 600 Series units are equipped with a power supply cord with a 3-prong grounding plug and it must be plugged into a mating 3-prong grounding type wall receptacle. Follow the National Electrical Code and local codes and ordinances when installing the receptacle. Refer to illustration 1, for exact specifications.

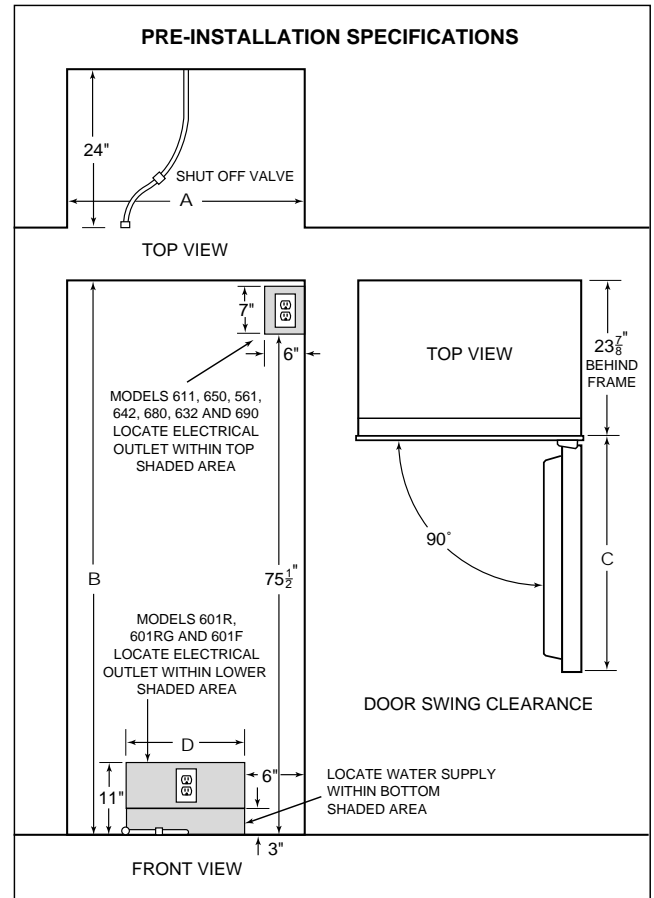
PLUMBING

For units with an automatic ice maker, rough in the water supply line. Connect a 1/4-inch OD copper line to the house supply, being sure to use an easily accessible shut off valve between the supply and the refrigerator.

Do not use "self-piercing" valves. A saddle valve kit (part #4-20-088-0) is available from your distributor/dealer. A line filter is required when water conditions have a high sediment content. The ice maker operates on water pressure of 20 to 100 psi. In some cases a reverse osmosis water filter system may not be able to maintain the minimum pressure.

The water line should be routed up through the floor within 1/2-inch from the back wall and no higher than 3 inches off the floor. If you have to come through the wall, make sure the water line is no more than 3 inches from the floor.

Regardless of the routing, allow three feet of excess copper tubing to remain outside the wall or floor for easy connection to the unit. Refer to illustration 1 and the Pre-Installation Specifications chart for exact specifications.



Illus. 1

PRE-INSTALLATION SPECIFICATIONS

Model	601R*	601F	611	650	561	642	680	632	690
Finished Rough Opening (A)	35 1/2"	35 1/2"	29 1/2"	35 1/2"	35 1/2"	41 1/2"	41 1/2"	47 1/2"	47 1/2"
Finished Rough Opening (B)	72 3/4"	72 3/4"	83 3/4"	83 3/4"	83 3/4"	83 3/4"	83 3/4"	83 3/4"	83 3/4"
Minimum Door Clearance at 90° (C)	36 1/16"	36 1/16"	30 1/8"	36 1/16"	20 3/4"	25 9/16"	25 9/16"	29 1/4"	29 1/4"
Minimum Height Required (levelers in)	72 3/4"	72 3/4"	82 7/8"	82 7/8"	82 7/8"	82 7/8"	82 7/8"	82 7/8"	82 7/8"
Water Supply Location (D)	N/A	24"	18"	18"	18"	18"	18"	18"	18"

*Pre-installation specifications for Model 601RG are identical to the Model 601R.