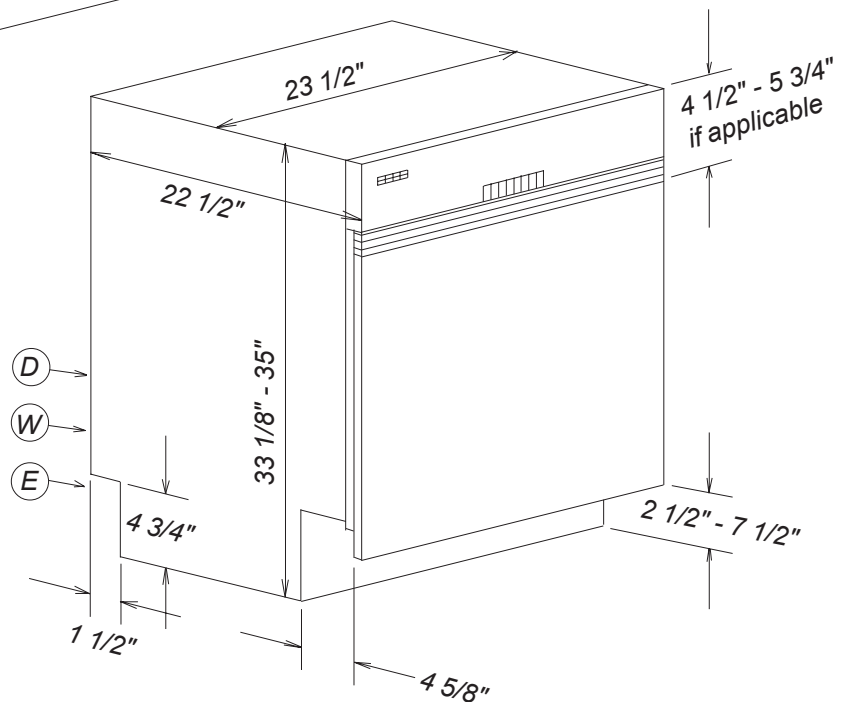
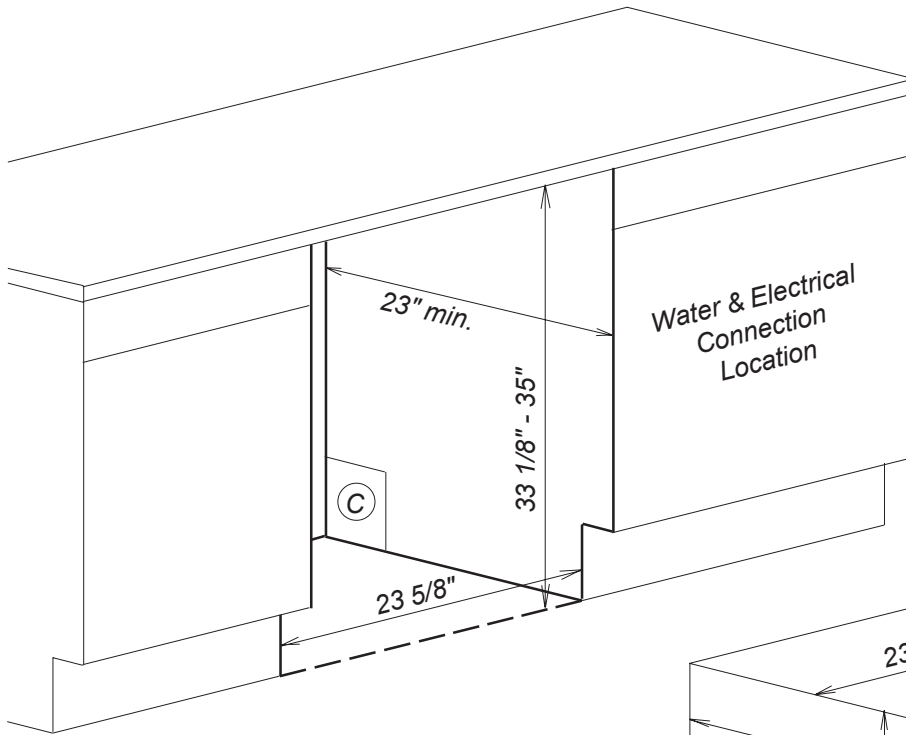


Product and Cut-out Dimensions G800 Series Dishwashers



Location Codes

- C - Cutout (2 1/4" x 4") for Water, Drain and Electric pass-through. Adjust according to water and drain location.
- D - 5 foot flexible drain hose connects lower center rear.
- E - 5 foot - 120 Volt - 15 Amp 3-wire molded plug power supply connects lower left rear.
- W - 5 foot "Double Waterproof" flexible water intake hose connects lower center rear.

Notes

- All Installations must be done in accordance with local codes
- Additional 2" in height may be attained by ordering extension feet (#2702600).
- Always use skis (included) during installation to insure proper levelling.

NOTE: Drawing is not to scale.
SPECIFICATION SHEETS 010802

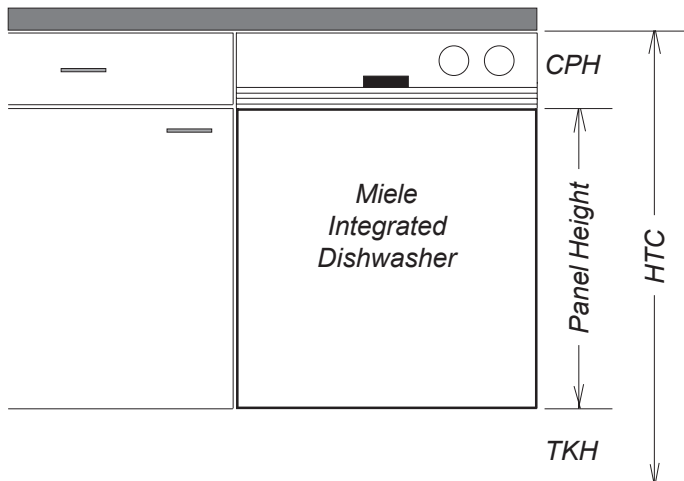
Panel Information Integrated Models



Custom Panel Installations

All Miele dishwashers do not come equipped with a front panel. These dishwashers are designed to accept a custom door panel supplied by the cabinet maker. Miele has a unique panel integration system which allows the dishwasher to align with the surrounding cabinets.

Panel size is determined in the following manner:



Width: 23 3/8" for all other dishwashers

Thickness: 3/4" in all cases

Height: Determined using the following calculation:

$$\text{Panel Height} = \text{HTC} - \text{CPH} - \text{TKH}$$

HTC = Height to the underside of countertop

CPH = Control Panel Height (Note 1)

TKH = Toe Kick Height

Note 1: Control Panel Height is determined by the height of the drawers in the cabinets. This height is adjustable between 4 1/2" and 5 3/4" with spacer strips provided. Additional spacer strips and foam inserts may be ordered to reach 6 1/4" in height.

Maximum Panel Weight:

White / Black	23 Pounds
Stainless Steel	19 Pounds

GDU Kit Installations

All Miele dishwashers do not come equipped with a front panel. These dishwashers are designed to accept a decorative panel system called the GDU kit. The GDU kits used depend on the model. The GDU kit contains both the front panel and toe kick cover.

G800 Series GDU 60/65



This GDU accepts a custom insert:

Height: 25 11/16"

Width: 23 1/8"

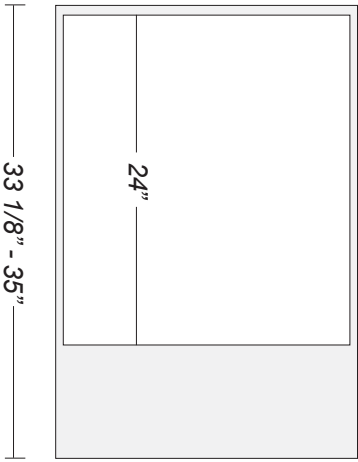
Thick: 1/8"

NOTE: Drawing is not to scale.
SPECIFICATION SHEETS 010802

Technical Information: Dishwashers



G800 Series



Interior cabinet height

Height to underside of countertop

	32 1/2	33	33 1/2	34	34 1/2	35	35 1/2	36
2 1/2		Acceptable combinations						
3		Acceptable combinations	Acceptable combinations					
3 1/2		Acceptable combinations	Acceptable combinations	Acceptable combinations				
4		Acceptable combinations	Acceptable combinations	Acceptable combinations	Typical American installation			
4 1/2		Acceptable combinations	Acceptable combinations	Acceptable combinations	Acceptable combinations	Acceptable combinations		
5		Acceptable combinations	Acceptable combinations	Acceptable combinations	Acceptable combinations	Acceptable combinations	Acceptable combinations	
5 1/2			Acceptable combinations	Acceptable combinations	Acceptable combinations	Acceptable combinations	Acceptable combinations	Acceptable combinations
6				Acceptable combinations	Acceptable combinations	Acceptable combinations	Acceptable combinations	Acceptable combinations
6 1/2					Acceptable combinations	Acceptable combinations	Acceptable combinations	Acceptable combinations
7						Acceptable combinations	Acceptable combinations	Acceptable combinations
7 1/2							Acceptable combinations	Acceptable combinations
8								Acceptable combinations
8 1/2								
9								

Toekick

For Integrated installations

- Acceptable combinations
- Typical American installation

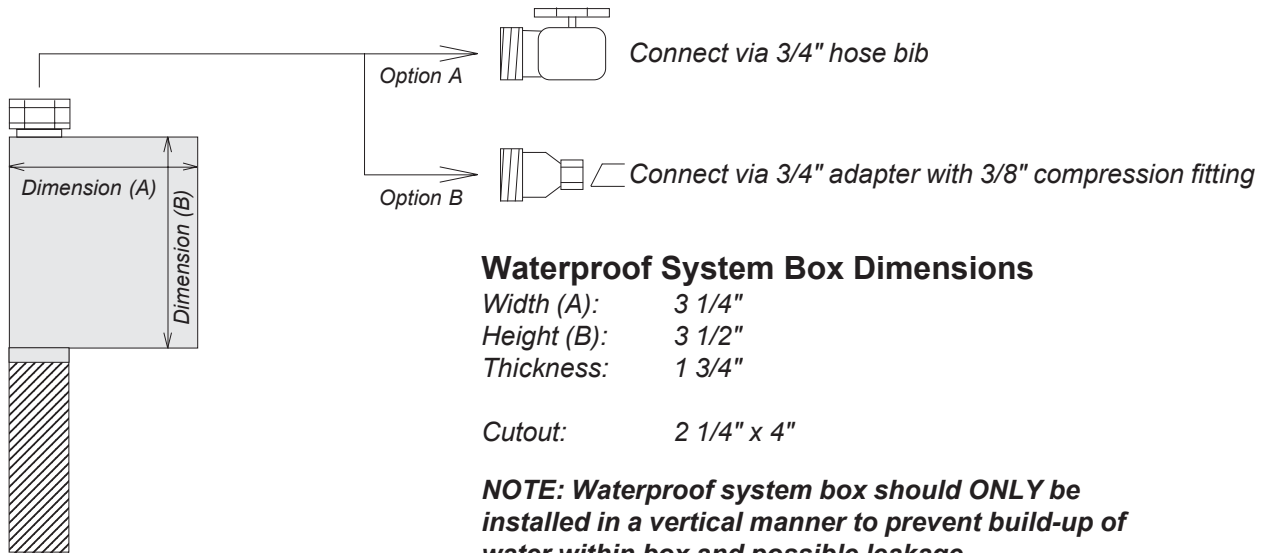
NOTE: Drawing is not to scale.
SPECIFICATION SHEETS 010802

Connection Information

All Dishwasher Types



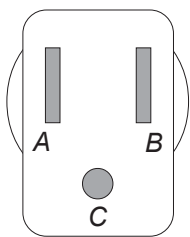
Water Connection



Waterproof System

Temperature: 110° - 130° F
Pressure: 4.5 - 145 PSI
Drain hose: 7/8" ID - 5 feet long

Electrical Connection



Voltage: 110 / 120 Volts
Fuse: 15 Amperes

5 foot cable with molded plug provided.

Terminal A: Live 1 (Black)
Terminal B: Neutral (White)
Terminal C: Ground (Green)