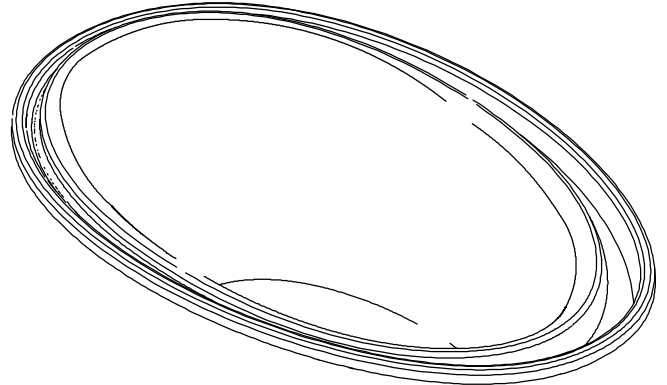


### FEATURES

- 72" (182.9cm) x 46" (116.8cm) x 25-3/16" (64cm)
- Acrylic
- Deep bathing well 21" (53.3cm)
- Overflows into horizontal overflow drain for maximum bathing depth
- Left or right drain
- Coordinating Purist™ Suite



### CODES/STANDARDS APPLICABLE

Specified model meets or exceeds the following:

- ANSI Z124.1
- IAPMO/UPC
- CSA International B45

### COLORS/FINISHES

- 0 White
- Other Refer to Fixtures Price Book for additional colors

#### Accessories:

- G Brushed Chrome
- Other Refer to Faucets Price Book for additional finishes

### SPECIFIED MODEL:

Model	Description	Colors/Finishes	
K-1190	Left or right drain	<input type="checkbox"/> 0 White	<input type="checkbox"/> Other _____
Required Accessories			
K-7202	Drain	<input type="checkbox"/> G	<input type="checkbox"/> Other _____

### PRODUCT SPECIFICATION:

The Purist™ Bath shall be 72" (182.9cm) in length, 46" (116.8cm) in width, and 25-3/16" (64cm) in height. Bath shall be made of acrylic. Bath shall have deep bathing well 21" (53.3cm) and overflows into horizontal overflow drain for maximum bathing depth. Bath shall have left or right drain. Bath shall be coordinating Purist™ Suite. Bath shall be Kohler Model K-1190-\_\_\_\_\_.

## PRODUCT INFORMATION

Fixture*:	basin area bot- tom	basin area top
Bathing well	45" (114.3cm) x 25-1/2" (64.8cm)	63" (160cm) x 31-1/2" (80cm)
Water depth to rim	21" (53.3cm)	
Cut-out Template	1016369-7	
Capacity	115 gal. (435 L)	
Weight	115 lbs. (52kg)	

\* Approximate measurements for comparison only.

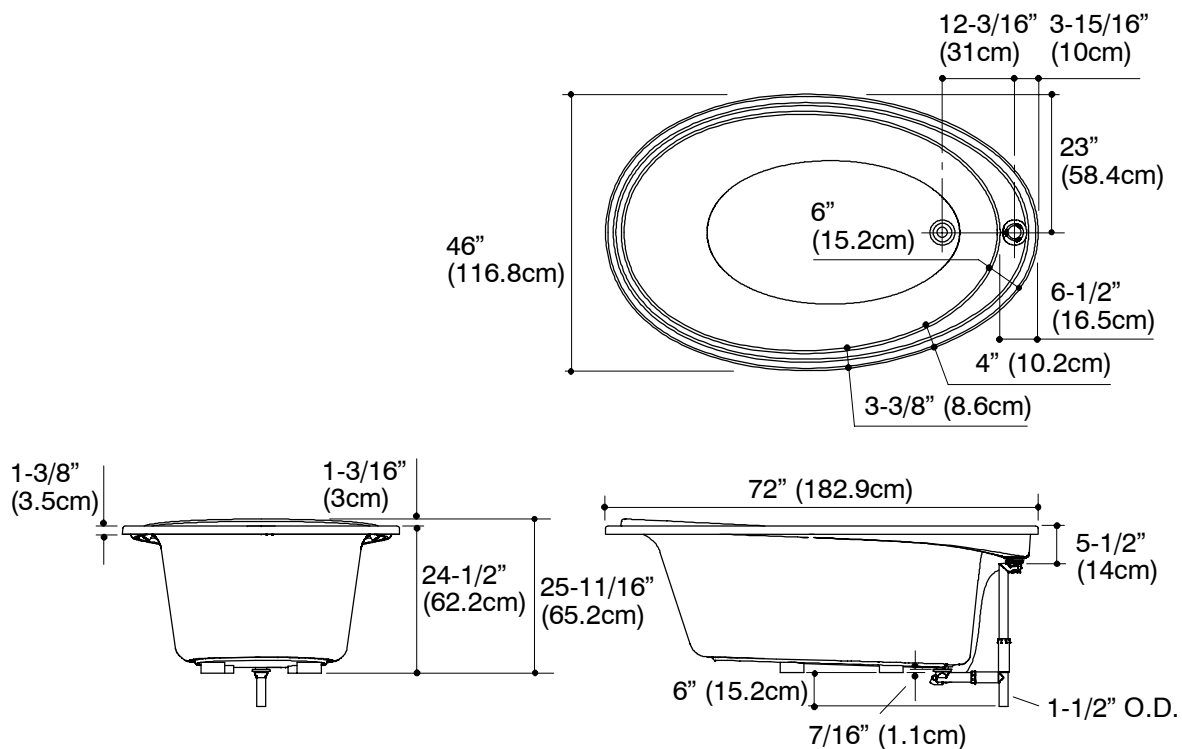
## INSTALLATION NOTES

Floor support under bath must provide for a minimum of 80 lbs./square foot (390 Kg./square meter) loading.

Consult local and national codes for minimum air gap requirements when installing a spout on the faucet deck.

No change in measurements if connected with drain illustrated. (K-7202 or K-7202M)

Unit requires two (minimum) 40 gallon (151 L) water heaters.



## PRODUCT DIAGRAM